

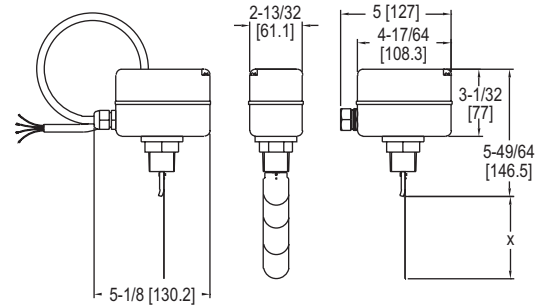


SERIES FS-2 | W. E. ANDERSON™ BY DWYER



VANE FLOW SWITCH

Low Cost, Field Adjustable Set Point and Paddle



Shown with conduit connection option

The **Series FS-2 Vane Flow Switch** offers an economical flow proving solution. The FS-2 paddles are adjustable to fit 1 to 8" size pipe.

FEATURES/BENEFITS

- Field adjustable set point adjustment screw allows for easy flow switch modification
- Custom application set points enabled by field adjustable vane layers
- Aluminum weatherproof housing permits outdoor installation

APPLICATIONS

- Boiler flow proving
- Hot water heaters
- Chillers
- Cooling lines
- Machinery
- Liquid transfer systems

APPROXIMATE ACTUATION/DEACTUATION FLOW RATES FOR WATER; GPM (LPM)

Pipe Size	Blade Vane Length in (mm) Dim. X	Minimum Setting		Maximum Setting	
		Actuate	Deactuate	Actuate	Deactuate
1"	1.34 (34)	4.0 (15.0)	1.8 (6.7)	8.8 (33.3)	6.6 (25.0)
1-1/4"	1.34 (34)	5.3 (20.0)	2.6 (10.0)	11.4 (43.3)	8.4 (31.7)
1-1/2"	2.24 (57)	7.0 (26.7)	4.0 (15.0)	14.5 (55.0)	11.4 (43.3)
2"	2.24 (57)	14.1 (53.3)	9.7 (36.7)	31.3 (118.3)	22.5 (85.0)
2-1/2"	3.46 (88)	18.5 (70.0)	15.4 (58.3)	35.2 (133.3)	30.8 (116.7)
3"	3.46 (88)	27.7 (105.0)	25.1 (95.0)	52.8 (200.0)	46.2 (175.0)
4"	3.46 (88)	59.4 (225.0)	52.8 (200.0)	123.3 (466.7)	114.5 (433.3)
5"	6.57 (167)	52.8 (200.0)	39.6 (150.0)	132.1 (500.0)	123.3 (466.7)
6"	6.57 (167)	75.7 (286.7)	52.8 (200.0)	154.1 (583.3)	140.9 (533.3)
8"	6.57 (167)	184.9 (700.0)	158.5 (600.0)	396.3 (1500.0)	374.2 (1416.7)

SPECIFICATIONS

Service: Compatible liquids.
Wetted Materials: Bellow: Tin-bronze; Vane: SS; Body: Forged brass.
Temperature Limit: 230°F (110°C).
Pressure Limit: 145 psig (10 bar).
Switch Type: SPDT snap switch.
Electrical Rating: 10 A res, 3 A ind @ 250 VAC.
Electrical Connection: Cable gland with attached wire leads or optional conduit connection.

Process Connection: 1" male NPT or BSPT.
Mounting Orientation: Switch must be installed vertically on horizontal pipe runs.
Set Point Adjustment: Four vane combinations and an adjustment screw.
Enclosure: Die-cast aluminum alloy.
Weight: 28.22 oz (0.8 kg).
Agency Approvals: CE.

MODEL CHART

Model	Description
FS-2	Paddle flow switch

OPTIONS

To order add suffix:	Description
-BSPT	Process connection
Example: FS-2-BSPT	
-CND	Conduit connection, 1" NPT female conduit connection with no wire leads.
Example: FS-2-CND	

USA: California Proposition 65

⚠ WARNING: Cancer and Reproductive Harm - www.P65Warnings.ca.gov